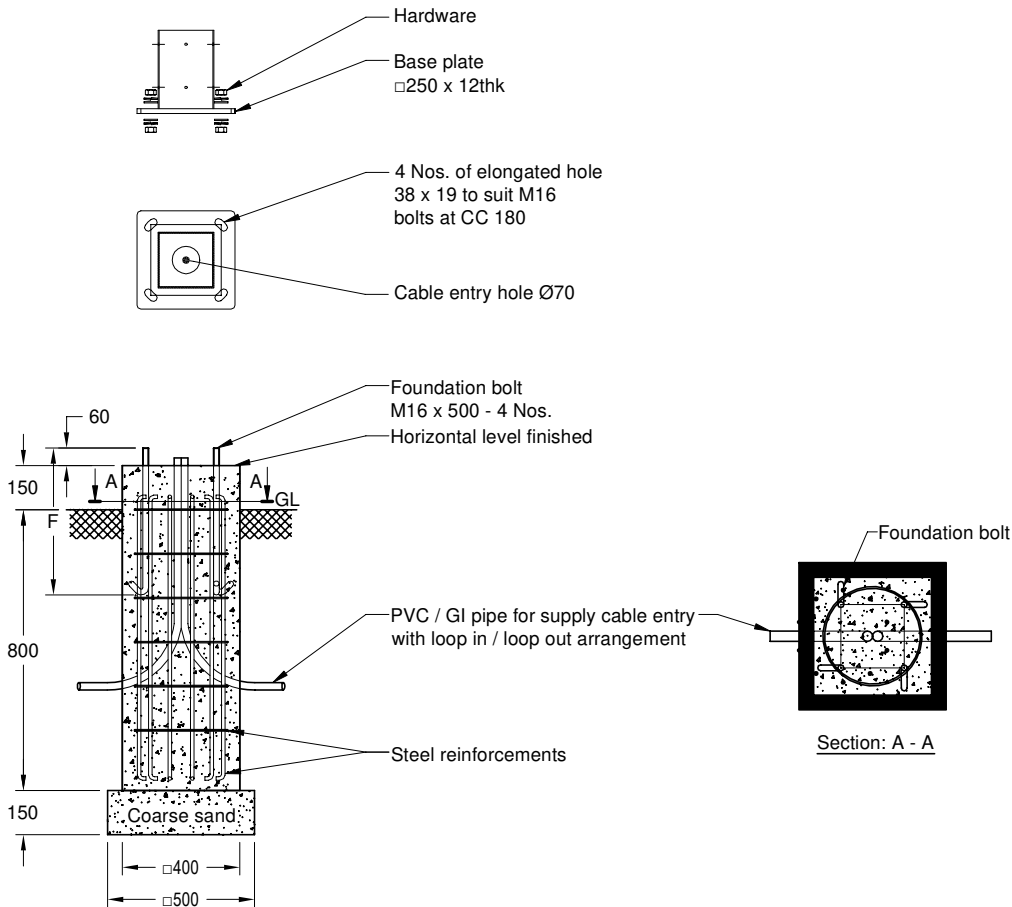


DWG. No. : KL-DFD-101
SHEET No. : 1 of 1

ALL DIMENSIONS ARE IN mm



Note

- Typical foundation drawing for standard soil condition.
- Parameters considered in RCC foundation design :
 - Load bearing capacity of soil (LBC) : 10 Mt/m² (Minimum)
 - Basic wind speed : 50 m/s
 - Grade of steel reinforcement : Fe 415
 - Grade of foundation bolt : 4.6
- Height of foundation above ground level (150mm) may be revised to suit the site conditions especially considering the expected water level stagnation.
- Template supplied is suggested to be used for locating the CC of foundation bolts.
- 4 Nos. of foundation bolt have to be oriented (located), while casting the foundation such that the door of the electrical junction box faces the required direction.
- PVC / GI pipe for entry of supply cable and the materials required for foundation are not scope of our supply.

01	BASE INSERT PIPE LENGTH REVISED	08-09-20	ABISHEK		
REV. No.	REVISION DETAILS	DATE	REVISED	CHD	APPD

DRAWN ABISHEK	CHECKED	APPROVED	DATE 10-08-20	SCALE 1 : 20	MATERIAL -	Z:\K - LITE\006.FOUNDATION DETAILS\KL - DFD - 101 (M46)\KL - DFD - 101 (M46).REV 01.dwg	
K-LITE		K-LITE INDUSTRIES CHENNAI-600 058		DETAILED FOUNDATION DRAWING M46 □250 x 12 (FOUNDATION BOLT M16 x 500)			
					DRG. NO. KL-DFD-101	REV 01	SHEET 1 of 1