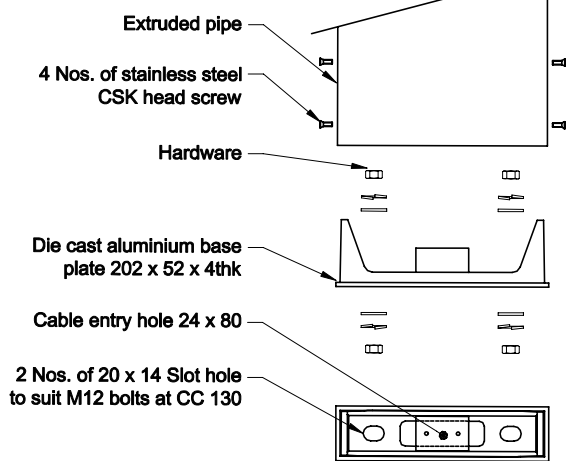
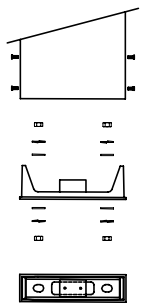
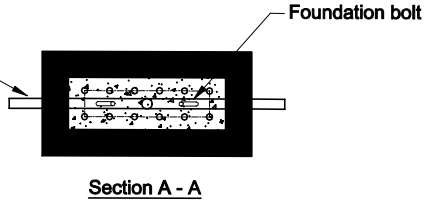
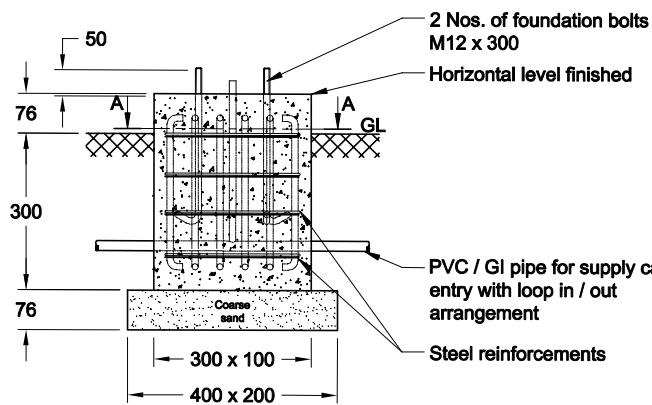


DWG. No. : KL-DFD-057
SHEET NO. : 1 of 1

ALL DIMENSIONS ARE IN mm



Detailed view
Scale 2 : 1



Note

1. Typical foundation drawing suitable for standard soil condition.
2. Parameters considered in RCC foundation design :
 - Load bearing capacity of soil (LBC) : 10 Mt/m² (Minimum)
 - Basic wind speed : 50 m/s
 - Grade of steel reinforcement : Fe 415
 - Grade of foundation bolt : 4.6
3. Height of foundation above ground level (76mm) may be revised to suit the site conditions especially considering the expected water level.
4. Template supplied is suggested to be used for locating the CC of foundation bolts.
5. 2 Nos. of foundation bolt have to be oriented (located), while casting the foundation such that the door of the electrical junction box face the required direction.
6. PVC / GI pipe for entry of supply cable and the materials required for foundation are not scope of our supply.

03.	BASE PLATE DESIGN REVISED	28-08-20	LOGANATHAN		
02.	BASE PLATE DESIGN REVISED	10-05-18	BASKAR		
01.	DESIGN REVISED	25-07-17	NISANTH		
REV. No.	REVISION DETAILS	DATE	REVISED	CHD	APPD

DRAWN R.SATHISH	CHECKED	APPROVED	DATE 05-05-17	SCALE 1 : 15	MATERIAL	Z:\K - LITE\006.FOUNDATION DETAILS\KL - DFD - 057 (M24)\REV 03.dwg				
		K-LITE INDUSTRIES CHENNAI-600 058			DETAILED FOUNDATION DRAWING FOR M24 202 x 52 x 4 (FOUNDATION BOLT M12 x 300)					
						DRG. NO. KL-DFD-057	REV 03	SHEET 1 of 1		