

High efficiency LED flood lights designed to provide directional spot light. The product design and construction of the luminaires are characterized by high luminous efficiency, an extremely long service life and uniform illuminance. Their sturdy construction makes them particularly suitable for areas where a high level of robustness is required.

Product Description

- Extruded aluminium hood cover integrated with die-cast module and extruded aluminium alloy (grade 6063) tube.
- Heat resistant polycarbonate optical lens.
- Mounting bracket to facilitate proper aiming of the luminaire at desired angle.
- Available in 6° beam angle.
- Cable entries for through-wiring of mains supply cable.
- Integral constant current power supply
- CRI (Ra) : >80
- Suitable for operation on 240V, 50Hz single phase ac supply.
- Ordering guide : KL-4285-CCT (Colour Temperature)
- Available CCT : 2700K, 3000K, 4000K, 5700K.



Product Benefits

- High luminous efficiency at reduced wattage.
- Elegant, Robust design
- Sustainable LED technology offers durability and optimal light output with low power consumption.

Area of Application

Architectural and building facade lighting, Pathways, Parks, Sculptures, Structures and Security lighting.

Available Finish

Pure polyester powder coated

- Graphite grey
- Anthracite grey
- Jet black

Accessories

SPILL CONTROL SNOOT



8341 Navi Spot Ø166 x 200

Push-on snoot for the lateral shielding of stray light. The cylindrical screen has a number of openings in it that allows water to flow out if it is fixed pointing upwards.

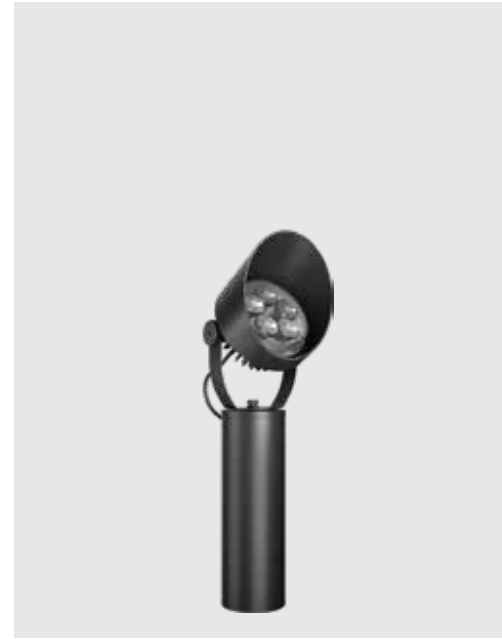


8339 Pipe Ø100 x 500

8340 Pipe Ø100 x 1000

ORDERING GUIDE

Eg : 4285 (Navi) + 8339 (Floor Mount)



Technical Specifications

General

ID	: 4285
System Wattage	: 30W LED
Driver Integral	: Constant Current
Input Voltage	: 230-240Vac
Frequency	: 50-60Hz
Operating Voltage	: 100-300Vac
Operating Temperature	: -15°C~+50°C

Light Source

Light Source	: LUMILEDS
CRI (Ra)	: >80
LED Colour Temperature	: 2700K / 3000K / 4000K / 5700K

Driver

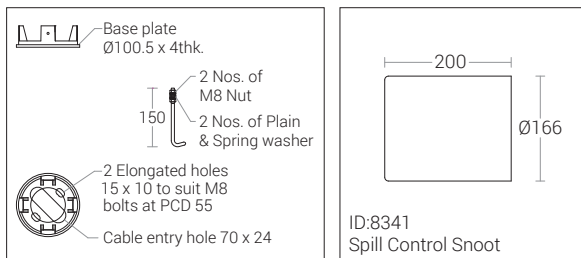
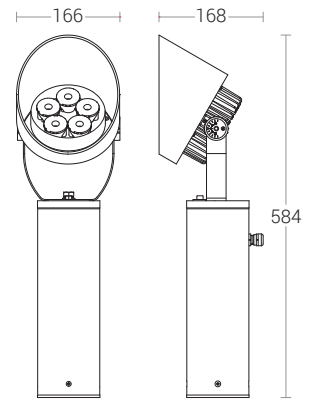
Power Supply	: Integral
Power Factor	: >0.90
THD	: <10%
Surge Protection	: 4KV
Efficiency	: >85%
Dimmable Option	: Analog / Dali

Physical

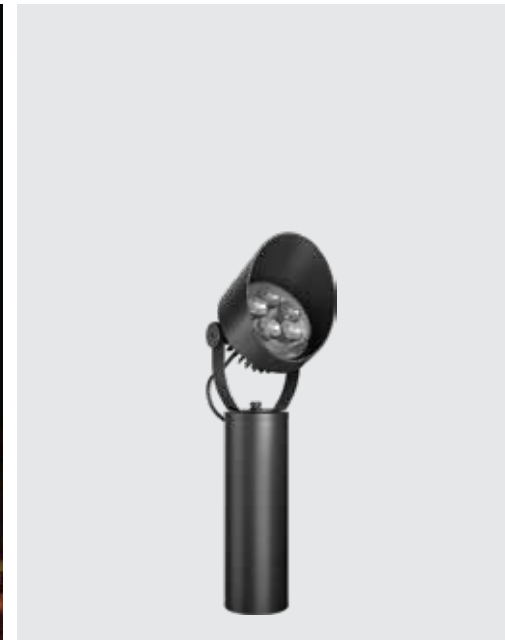
Body	: Die-Cast Aluminium with Extruded Aluminium Tube
Diffuser	: Clear Polycarbonate Optical Lens
Mounting	: Surface
Finish	: Powder Coated Graphite Grey / Jet Black Anthracite Grey

Optical Performance

Beam Angle	: 6°
------------	------



Note : It is our constant endeavor to upgrade the performance of our products. For the latest technical information, IES files and product updates please refer to the website at www.klite.in



Technical Specifications

General

ID	: 4261
System Wattage	: 50W LED
Driver Integral	: Constant Current
Input Voltage	: 230-240Vac
Frequency	: 50-60Hz
Operating Voltage	: 100-300Vac
Operating Temperature	: -15°C~+50°C

Light Source

Light Source	: LUMILEDS
CRI (Ra)	: >80
LED Colour Temperature	: 2700K / 3000K / 4000K / 5700K

Driver

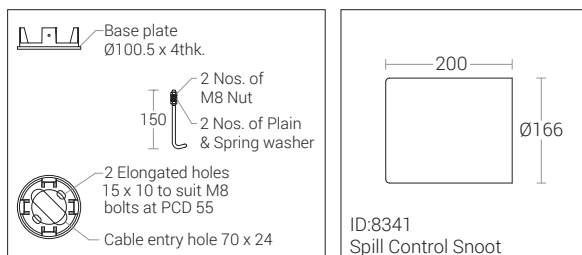
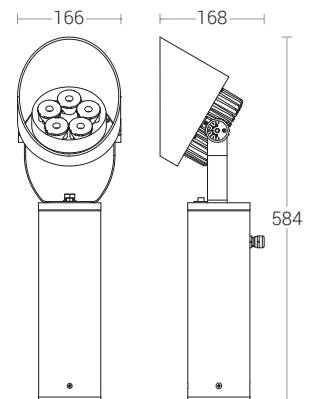
Power Supply	: Integral
Power Factor	: >0.90
THD	: <10%
Surge Protection	: 6KV
Efficiency	: >85%
Dimmable Option	: Analog / Dali

Physical

Body	: Die-Cast Aluminium with Extruded Aluminium Tube
Diffuser	: Clear Polycarbonate Optical Lens
Mounting	: Surface
Finish	: Powder Coated Graphite Grey / Jet Black Anthracite Grey

Optical Performance

Beam Angle	: 6°
------------	------



Note : It is our constant endeavor to upgrade the performance of our products. For the latest technical information, IES files and product updates please refer to the website at www.klite.in